



常规金属叶片轴流风机
Conventional Carbon Steel Blade Axial Fan

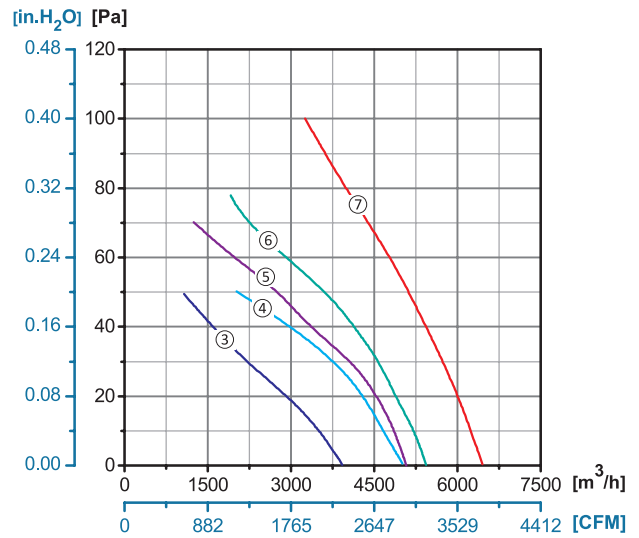
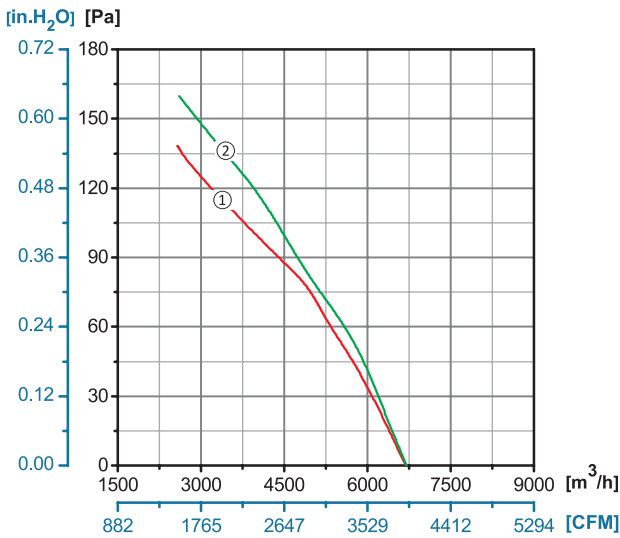
ErP2015
EXCEEDS THE NORM



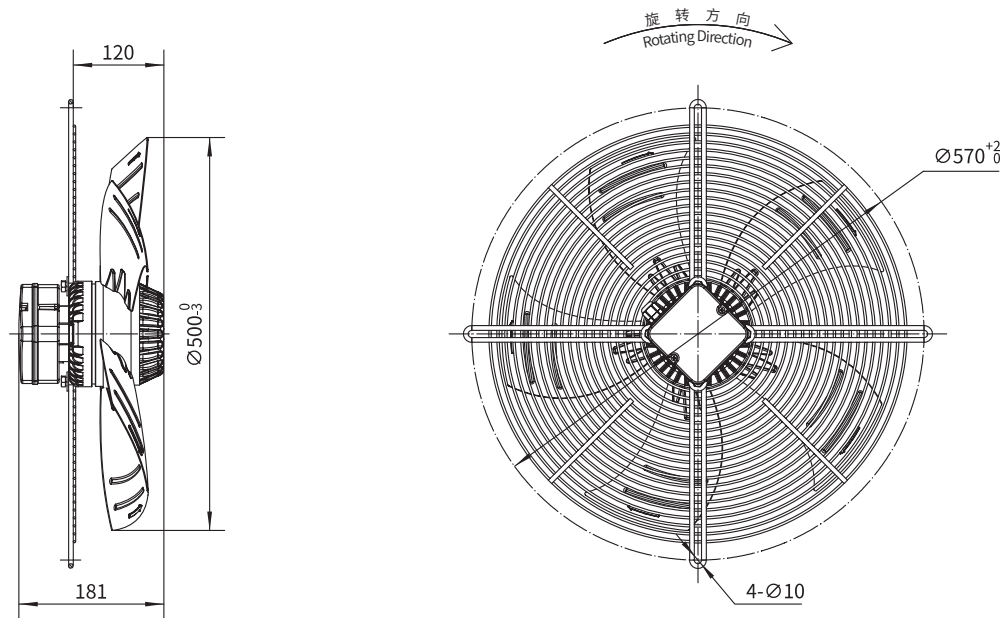
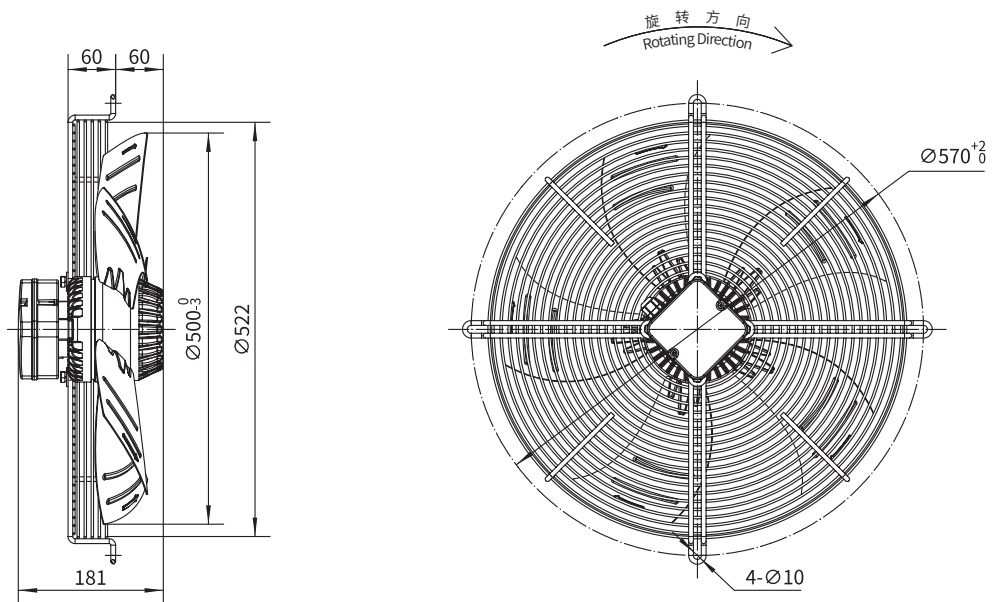
Φ500-L

转子材质 Rotor Material: 铸铝 Aluminum Die-casting
 叶轮材质 Impeller Material: 碳钢 Carbon Steel
 防护等级 Ingress Protection: IP54
 绝缘等级 Insulation Class: F
 轴承类型 Bearing Type: 免维护滚珠球轴承
 Maintenance Free Ball Bearing

性能曲线 Performance Curves



Type B	Type C	Type D	Type E	Type F0
YWF.A4S-500S-5B A00	YWF.A4S-500S-5C A00	YWF.A4S-500S-5D A00	YWF.A4S-500S-5E A00	YWF.A4S-500S-5F A00
YWF.A4T-500S-5B A00	YWF.A4T-500S-5C A00	YWF.A4T-500S-5D A00	YWF.A4T-500S-5E A00	YWF.A4T-500S-5F A00
YWF.A6S-500S-5B A00	YWF.A6S-500S-5C A00	YWF.A6S-500S-5D A00	YWF.A6S-500S-5E A00	YWF.A6S-500S-5F A00
YWF.A6T-500S-5B A00	YWF.A6T-500S-5C A00	YWF.A6T-500S-5D A00	YWF.A6T-500S-5E A00	YWF.A6T-500S-5F A00
YWF.A8T-500S-5B A00	YWF.A8T-500S-5C A00	YWF.A8T-500S-5D A00	YWF.A8T-500S-5E A00	YWF.A8T-500S-5F A00

B 型网罩 Type B

C 型网罩 Type C


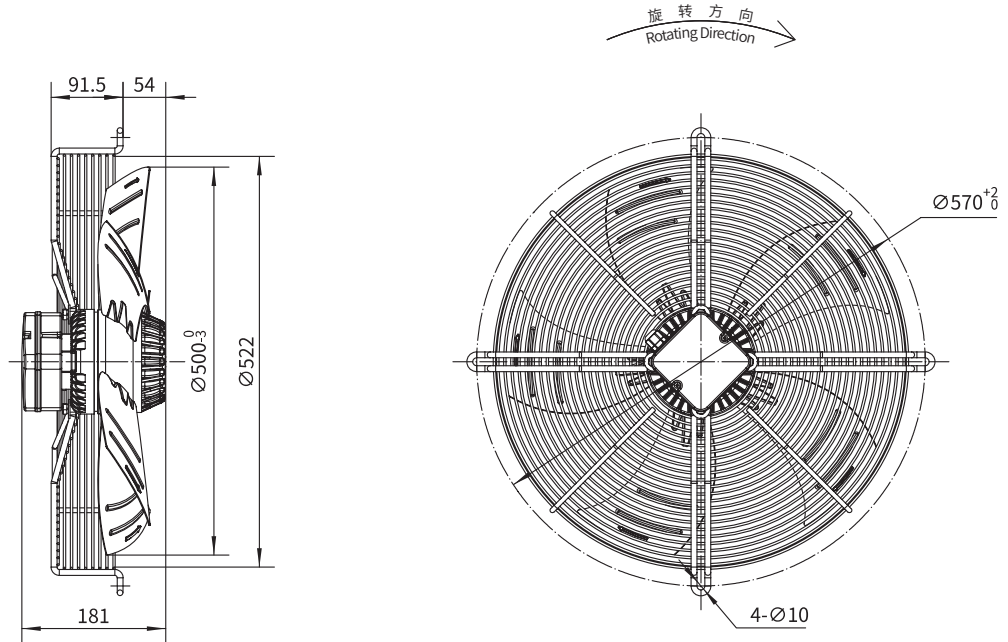
	电压 Voltage	频率 Frequency	电流 Current	功率 Power	转速 Speed	电容 Capacitor	风量 Air Flow (0 Pa)	噪音 Noise	曲线 Curve	运行温度 Working Temp.	认证 Approvals
Type F1	V	Hz	A	W	RPM	μF	[m ³ /h]/[CFM]	dB(A)	No.	Min/Max(°C)	
YWF.A4S-500S-5F A01	220/230	50	2.00	420	1320	10	6500/3835	69	①	-30/+60	CCC, CE
	220/230	60	2.2	500	1550	10	6800/4012	70	②	-30/+60	CCC, CE, UL
YWF.A4T-500S-5F A01	380/400	50	0.95	420	1350	/	6500/3835	69	①	-30/+60	CCC, CE
	380/400	60	0.90	500	1500	/	6800/4012	63	②	-30/+60	CCC, CE, UL
YWF.A6S-500S-5F A01	220/230	50	1.10	220	920	4	5000/2941	65	④	-30/+60	CCC, CE
	220/230	60	0.92	200	1000	4	5080/2988	66	⑤	-30/+60	CCC, CE, UL
YWF.A6T-500S-5F A01	380/400	50	0.62	220	920	/	5437/3198	65	⑥	-30/+60	CCC, CE
	380/400	60	0.60	275	1100	/	6450/3794	66	⑦	-30/+60	CCC, CE, UL
YWF.A8T-500S-5F A01	380/400	50	0.30	110	700	/	3920/2306	50	③	-30/+60	CCC, CE



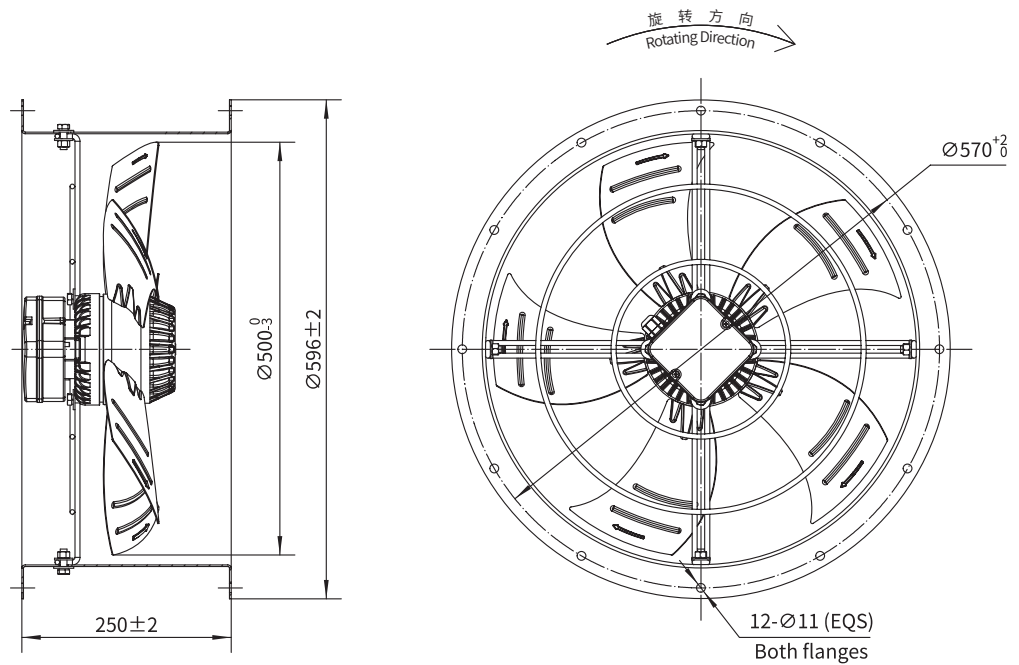
常规金属叶片轴流风机
Conventional Carbon Steel Blade Axial Fan

Φ500-L

D 型网罩 Type D



E 型导风筒 Type E

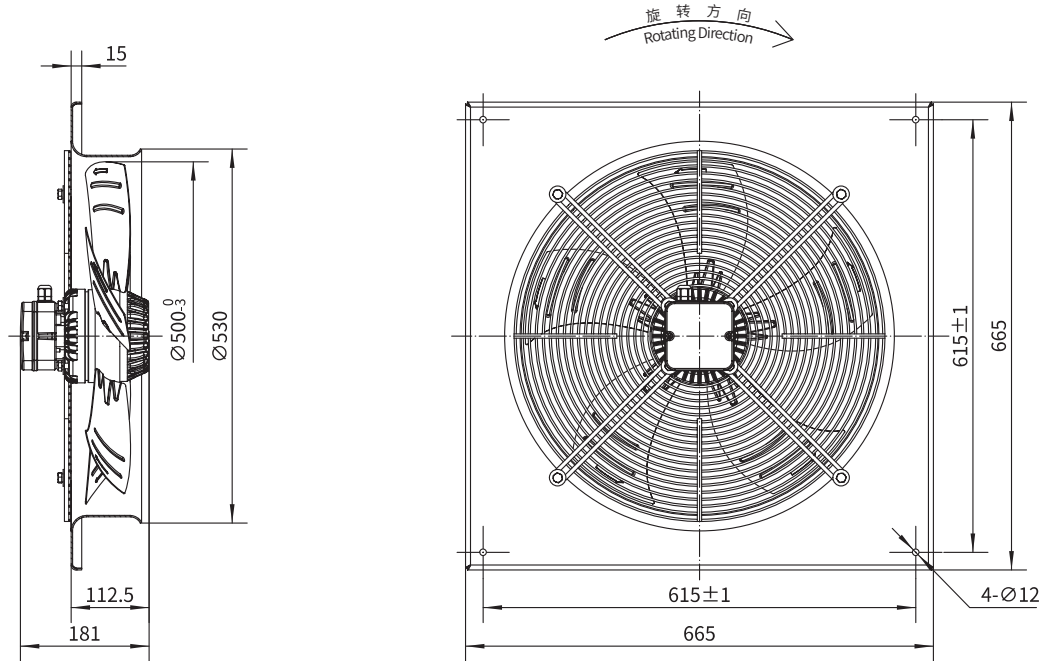




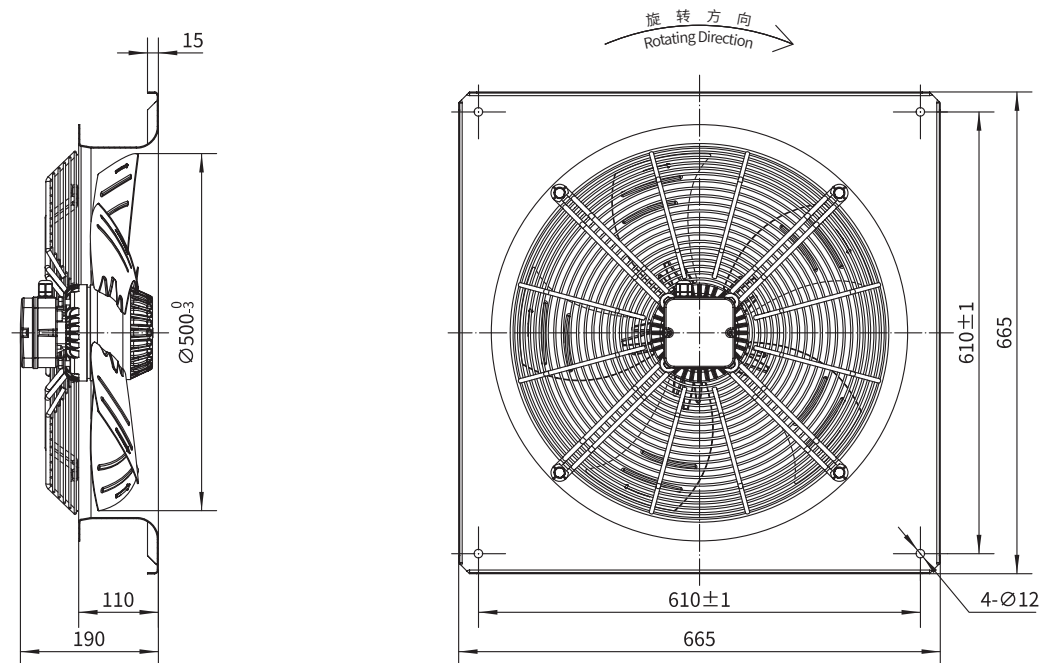
常规金属叶片轴流风机
Conventional Carbon Steel Blade Axial Fan

Φ500-L

F0 型面板 Type F0



F1 型面板 Type F1



常规金属叶片轴流风机
Conv. Steel Blade Axial

