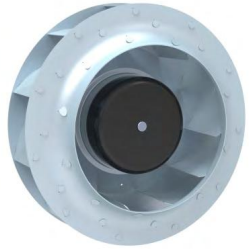


EC 金属叶轮后倾离心风机  
EC Backward Centrifugal Fan with Metal Impeller

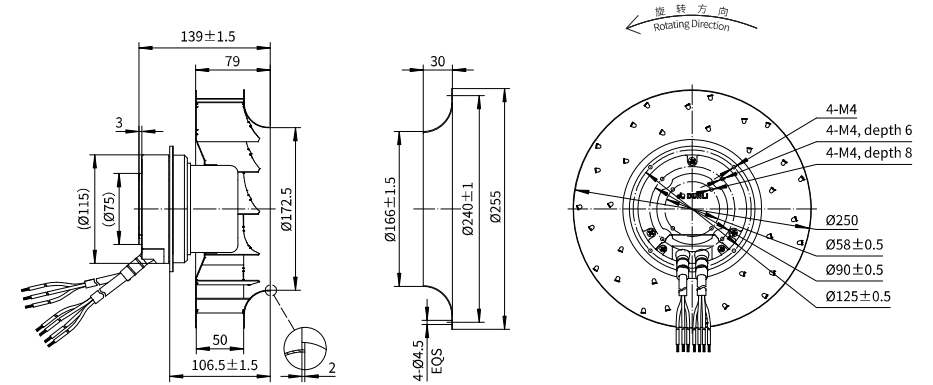
Erp2015  
EXCEEDS THE NORM

后倾离心风机 Motorized Backward Curved Impeller

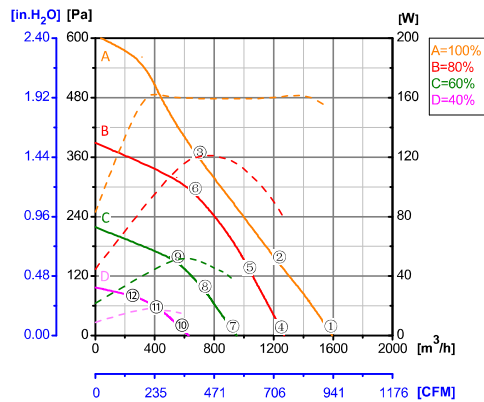


Φ 250-L

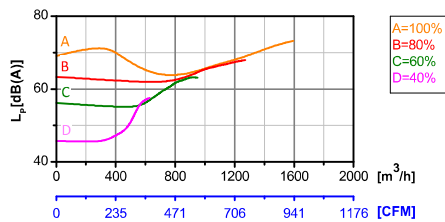
转子材质 Rotor Material: 碳钢 Carbon steel  
 叶轮材质 Impeller Material: 镀锌板 Galvanized steel sheet  
 防护等级 Ingress Protection: IP44  
 绝缘等级 Insulation Class: F  
 轴承类型 Bearing Type: 免维护滚珠轴承  
 Maintenance free ball bearing



性能曲线 Performance Curves



测试节点 Test Point	转速 Speed rpm	输入功率 Input Power W
1	2809	151
2	2589	161
3	2462	160
4	2249	78
5	2250	107
6	2249	121
7	1687	36
8	1688	48
9	1687	52
10	1124	13
11	1125	16
12	1124	18



Erp2015 Data:  
 Efficiency  $\eta_{statA}$  = 50.0%  
 Efficiency grade  $N_{actual}$  = 68.8,  $N_{target}$  = 62  
 Test report No. : L-20210302-005-102

产品型号 Model No.	电压 Voltage	频率 Frequency	转速 Speed	输入功率 Input Power	电流 Current	运行温度 Working Temp.	认证 Approvals
	VAC	Hz	RPM	W	A	Min/Max (°C)	
EC92-B250-B10	1~220/230	50/60	2800	160	1.15	-20/+60	CCC, CE