

EC 复翼叶轮后倾离心风机
EC Backward Curved Centrifugal Fan with Aileron Impeller

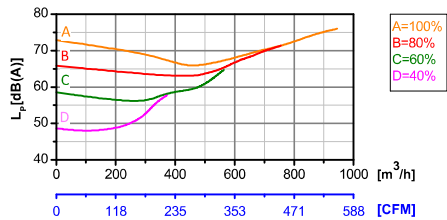
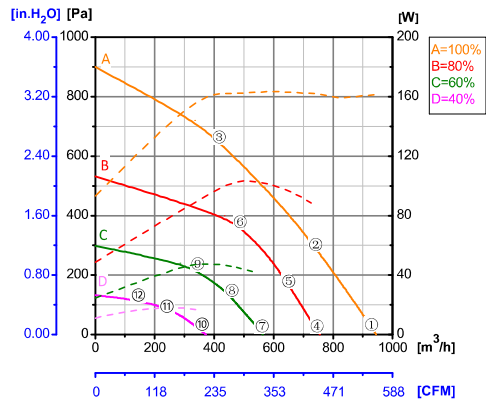
Erp2015
EXCEEDS THE NORM



Φ 190-H

转子材质 Rotor Material: 碳钢 Carbon steel
 叶轮材质 Impeller Material: 塑料 Plastic
 防护等级 Ingress Protection: IP54
 绝缘等级 Insulation Class: F
 轴承类型 Bearing Type: 免维护滚珠轴承
 Maintenance free ball bearing

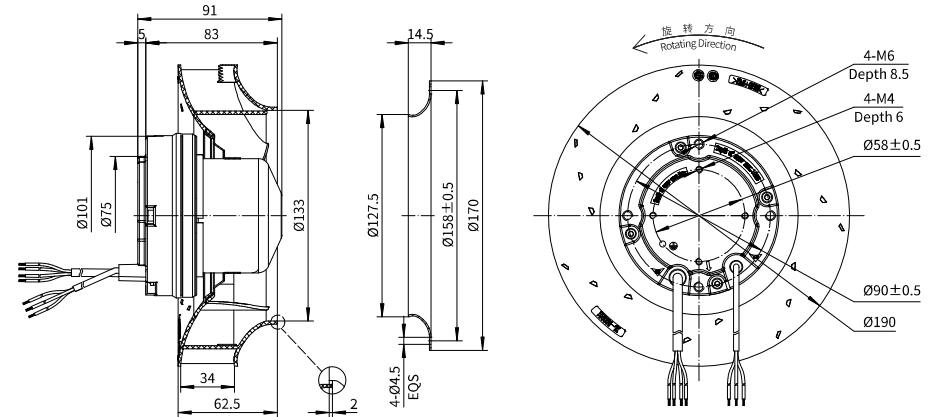
性能曲线 Performance Curves



测试节点 Test Point	转速 Speed rpm	输入功率 Input Power W
1	4146	161
2	3937	162
3	3928	162
4	3313	85
5	3311	96
6	3312	104
7	2485	40
8	2485	46
9	2486	47
10	1658	16
11	1656	17
12	1656	18

Erp2015 Data:
 Efficiency $\eta_{statA} = 55.2\%$
 Efficiency grade $N_{actual} = 74, N_{target} = 62$
 Test report No. : L-20210302-005-004

后倾离心风机 Motorized Backward Curved Impeller



产品型号 Model No.	电压 Voltage	频率 Frequency	转速 Speed	输入功率 Input Power	电流 Current	运行温度 Working temp.	认证 Approvals
	VAC	Hz	RPM	W	A	Min/Max (°C)	
EC72-B190-030	1~220/230	50/60	4120	160	1.20	-20/+60	CCC, CE