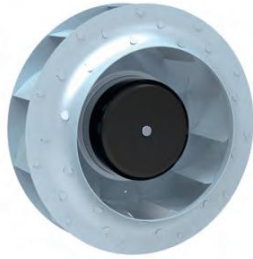


DC 金属叶轮后倾离心风机  
DC Backward Centrifugal Fan with Metal Impeller

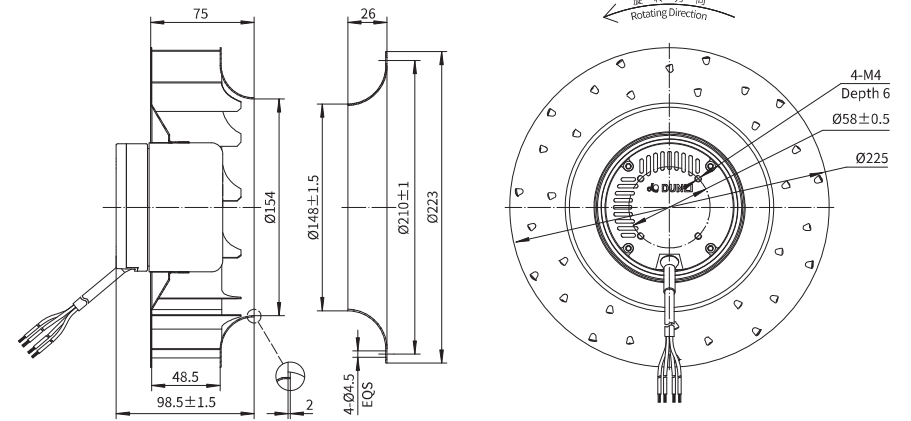
Erp2015  
EXCEEDS THE NORM

后倾离心风机 Motorized Backward Curved Impeller

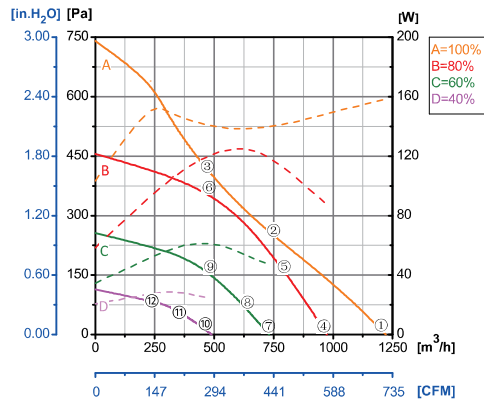


Φ 225

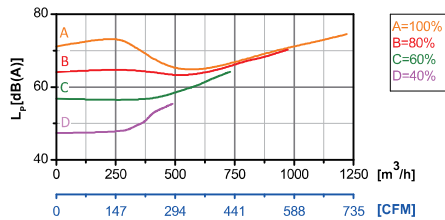
转子材质 Rotor Material: 碳钢 Carbon steel  
 叶轮材质 Impeller Material: 镀锌板 Galvanized steel sheet  
 防护等级 Ingress Protection: IP42  
 绝缘等级 Insulation Class: F  
 轴承类型 Bearing Type: 免维护滚珠轴承  
 Maintenance free ball bearing



性能曲线 Performance Curves



测试节点 Test Point	转速 Speed rpm	输入功率 Input Power W
1	3331	158
2	2818	140
3	2813	140
4	2661	88
5	2663	111
6	2660	122
7	1999	47
8	1997	53
9	1996	61
10	1327	24
11	1334	26
12	1331	28



Erp2015 Data:  
 Efficiency  $\eta_{statA}$  = 45.7%  
 Efficiency grade  $N_{actual}$  = 65.2,  $N_{target}$  = 62  
 Test report No. : L-20210302-005-103

产品型号 Model No.	电压 Voltage	频率 Frequency	转速 Speed	输入功率 Input Power	电流 Current	运行温度 Working temp.	认证 Approvals
	VDC	Hz	RPM	W	A	Min/Max (°C)	
DC92-B225-C10	48	/	3250	155	3.23	-20/+60	CCC, CE
DC92-B225-D10	310	/	3250	155	0.50	-20/+60	CCC, CE